

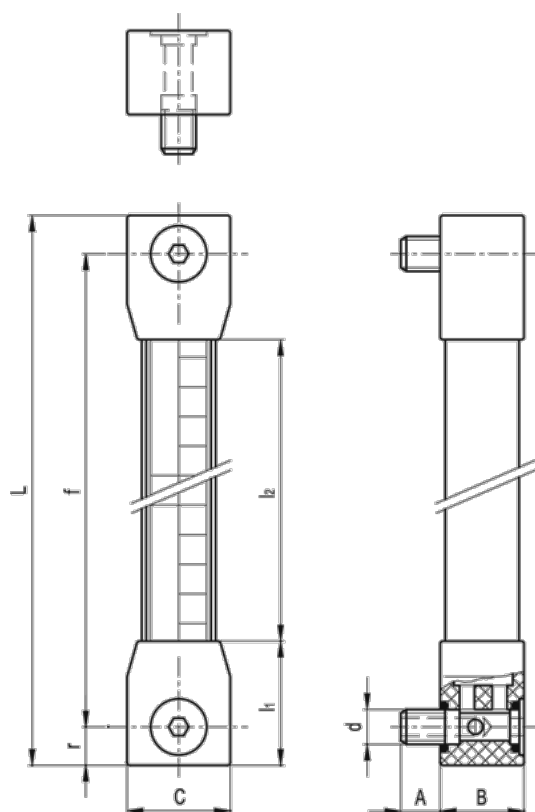
# Data Sheet



Article number: 231111231

Description: E+G Column level indicator  
HCL-500-M12

## Measures



A = 13.5

r = 13

B = 28.5

Weight (g) = 306

C = 35

d = M12

f = 500

L = 526

l1 = 42

l2 = 442